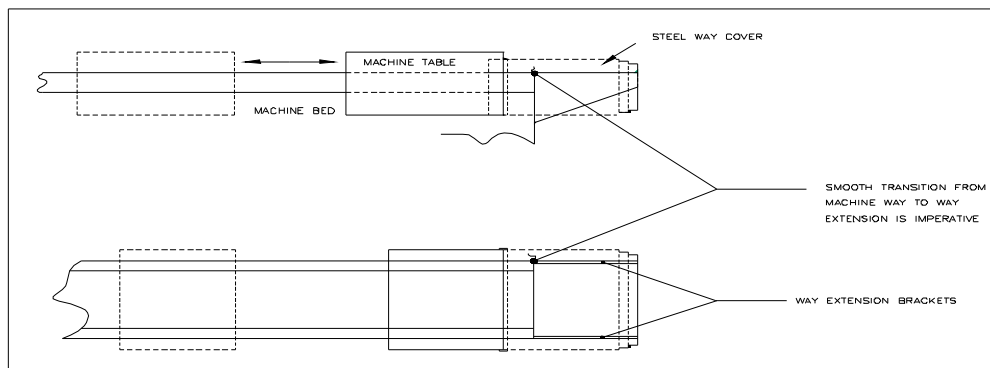


Mounting and Maintenance Instructions For Hennig, Inc. Telescopic Steel Covers

To ensure correct assembly and maintain the value of telescopic steel covers,
the following instructions should be observed:

1. HENNIG telescopic steel covers are coated with special oil protecting them against rust, and are packed with plastic wrap for shipment. This prevents corrosion during transport and prolonged storage. We recommend that the outer surfaces of the covers are oiled prior to or immediately after installation.
2. The steel way cover should only be extended after it has been installed on the guideways to be protected. Otherwise they may jam and thus be damaged.
3. In some steel way cover applications way extension brackets are required. To ensure trouble free operation, the extension bracket should be mounted according to the sketch below and must be flush with the upper and lateral guide surfaces.
4. Steel way covers should be mounted on the machine in the compressed position. We recommend that the smallest box is fastened first and the largest box last.
Note:
 - The mounting surface must be perpendicular to the direction of cover travel.
 - Distortion of the covers during assembly must be prevented.
 - Bolting of the large box must not exert a load on the other boxes (lift, if necessary).
 - If the large box must be extended, include the next box to properly support the large box for mounting.
5. When installing heavy covers (see bottom sketch other side), care must be taken that the side guide shoes do not touch the guide surface as this would cause damage. The carrying cable should only be attached to the lift lugs.
6. Normally the way covers are designed to be walked on. However they must not be walked on when in operation since this could cause internal damage. Covers which are non walk-on will be marked with a label.
7. The way covers require very little maintenance, however they should be cleaned periodically (depending on dirt accumulation) in the extended position. After cleaning, lubricate the way covers with an oily rag. This prevents excessive wear and corrosion. DO NOT use an air hose for cleaning, as this would cause dirt to be forced under the wiper and in the cover.
8. In case of high volumes of chips, especially with lathes, the way covers should be inspected at least once per month. If chips have penetrated the wiper, the cover has to be disassembled and cleaned thoroughly. Chips between the boxes will cause damage to the cover and particularly to the wiper lips.
9. We recommend that the machine guideways are inspected periodically. The telescopic cover has to be moved in to the compressed position, and the large box is to be disconnected.
10. The wipers and guide shoes are subject to normal wear and should be replaced from time to time.
11. Orders for replacement or spares must include the information on the identification tag.



Disassembly of way cover:

1. Remove fasteners from the largest box.
2. Move cover boxes into the compressed position, away from the mounting surface.
3. Move the largest box into the extended position against stop (hold all the other boxes in compressed position).
4. Apply slight pressure against wiper, pushing downwards, tilt end of box upwards, pivot about the wiper. The box can now be removed. If cover boxes do not come apart readily, pull out the side walls gently so that the rearwall protruding sideways is released. This must be done carefully so that the cover boxes are not distorted.
5. Move the next largest box into the extended position against stop and continue as described above until all boxes are disassembled.

Re-assembly of the way cover is done in the reverse order.

