

TELESCOPIC STEEL COVERS QUOTE REQUEST



Please complete this form and email or fax to your desired location
info@hennig-inc.com [Find Your Regional Contact](#)

www.hennigworldwide.com

1 COMPANY (complete address)

Name _____
Title _____
E-mail _____
Phone _____ Fax _____ Date ___/___/___

2 TECHNICAL DATA / EXISTING COVER DIMENSIONS

Quantity _____ Each Set
Number of Boxes _____
Cover Type _____
Mounting Configuration _____
Width of Cover _____

Height of Cover _____
Height Over Ways _____
Angle _____
Height of Side (types BB, CC, DD, EE) _____
Width of Top (types DD, EE) _____

3 APPLICATION

Manufacturer Hennig Enomoto Other
Hennig or Enomoto Part # _____
OEM Part # _____

COVER ORIENTATION (check one)

Horizontal Vertical Cross Rail
 Slant Bed Column/Table _____

Machine Type

Make _____
Model _____
Axis X Y Z Other
Photos Available? Yes No
DWGs or Sketches available? Yes No

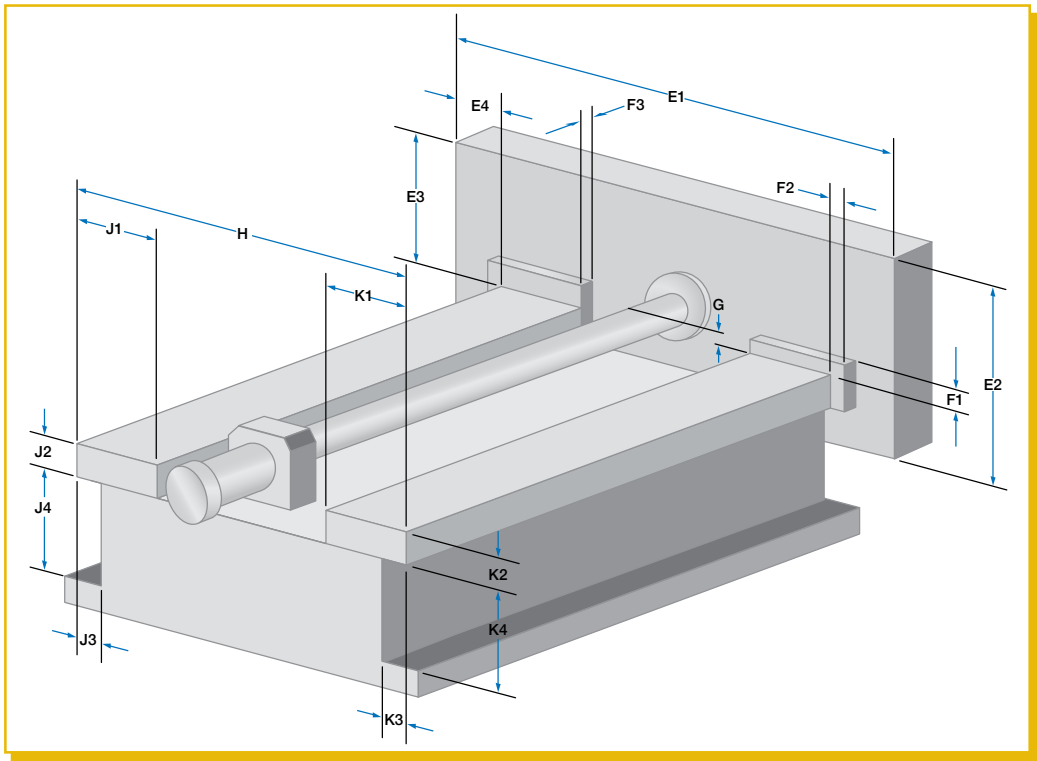
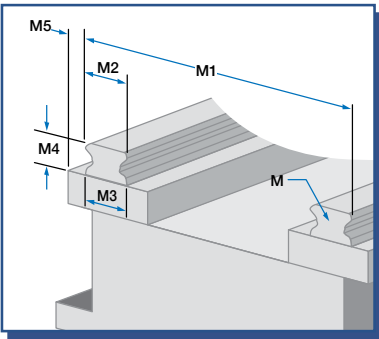
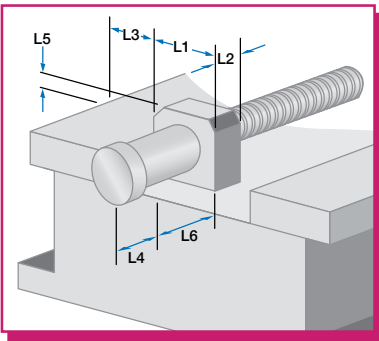
Operating Environment

Dry Grinding Hot Chip
 Heavy Coolant Other _____
Operating Temperature Range _____
Maximum Travel Speed _____

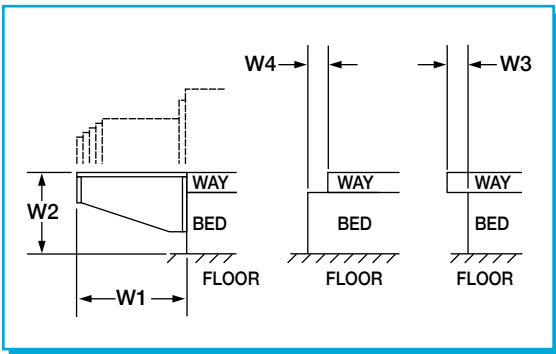
4 DIMENSIONS

A Extended length _____
B Compressed length _____
C Travel _____
D1 End of way to table when compressed _____
D2 End of way to table at over travel _____
E1 Table width _____
E2 Table height _____
E3 Table height above way _____
E4 Side of way to side of table _____
F1 Way wiper height above way _____
F2 Side of way wipers to side of way _____
F3 Way wiper to table (depth) _____
G Height of ball screw above way _____
H Width over ways _____
J1 Individual width of way _____
J2 Individual height of way _____
J3 Side of way to side of casting _____
J4 Casting distance below way _____
K1 Individual width of way _____

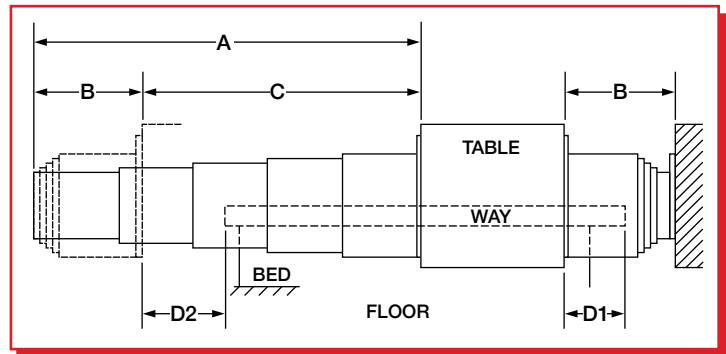
K2 Individual height of way _____
K3 Side of way to side of casting _____
K4 Casting distance below way _____
L1 Width of drive mount _____
L2 Depth of drive mount _____
L3 Side of way to side of drive mount _____
L4 End of way to front of motor _____
L5 Drive mount height above way _____
L6 End of way to drive mount _____
M Rail type _____
M1 Width over linear rails _____
M2 Rail width (top) _____
M3 Rail width (bottom) _____
M4 Rail height _____
M5 Side of casting to side of rail _____
W1 Way extension length _____
W2 Way height to floor _____
W3 Way to bed offset _____
W4 Bed to way offset _____



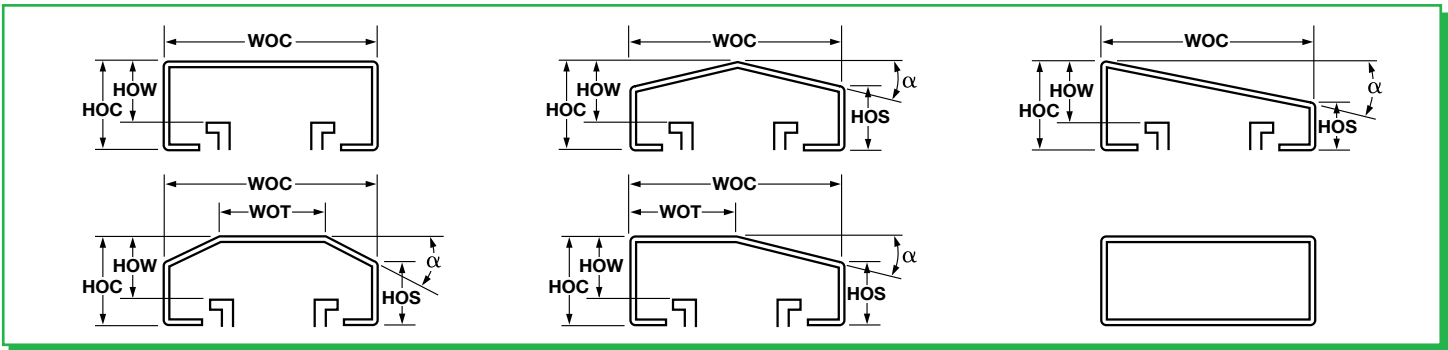
WAY EXTENSION BRACKETS



SIDE VIEW



COVER TYPES



MOUNTING CONFIGURATIONS

