

### 1 COMPANY (complete address)

\_\_\_\_\_  
 \_\_\_\_\_  
 \_\_\_\_\_  
 \_\_\_\_\_

Name \_\_\_\_\_  
 Title \_\_\_\_\_  
 E-mail \_\_\_\_\_  
 Phone \_\_\_\_\_ Fax \_\_\_\_\_ Date \_\_\_\_/\_\_\_\_/\_\_\_\_

### 2 EXISTING CONVEYOR (If you have the conveyor part number, disregard section 4)

|----- Hennig Partners -----|

Brand:  Hennig  Enomoto  Sermeto  Cobsen  
 Other \_\_\_\_\_

Part # \_\_\_\_\_ Serial # \_\_\_\_\_

Belt Type:  Hinge  Plain  Perf  Dimple  Scraper  Magnetic

### 3 MACHINE INFORMATION

Make \_\_\_\_\_ Model \_\_\_\_\_ Available References:  Photos  Drawings

Type:  Lathe  Milling  Drilling  Tapping  Other \_\_\_\_\_ Chip Volume \_\_\_\_\_ in<sup>3</sup>/min

Spindle Horse Power \_\_\_\_\_ hp Available Power:  440  220  110  24 VDC  Other \_\_\_\_\_

Chip Material:  Soft Steel  Hard Steel  Stainless Steel  Brass/Copper Kind of Chips:  Fine  Broken  Lg Broken  
 Cast Iron  Aluminum  Cast Aluminum  Other \_\_\_\_\_  Lg Bushy  Tight Bushy

### 4 CONVEYOR TECHNICAL DATA

Intake Length L1 \_\_\_\_\_ mm Motor Location  Left  Right

Max Length L \_\_\_\_\_ mm Power Requirements V \_\_\_\_\_ Ph \_\_\_\_\_ Hz \_\_\_\_\_

Discharge Height H \_\_\_\_\_ mm Control Box  Yes  No  
(check all that apply)

Max Width W \_\_\_\_\_ mm  Standard (fwd, rev, e-stop)  Variable Speed

Angle (45°, 60°) A \_\_\_\_\_ deg.  Auto/Manual Selector Switch

Width of Chip Chute W1 \_\_\_\_\_ mm  Electrical Plug (if yes, please specify below)

Height of Chip Chute H1 \_\_\_\_\_ mm \_\_\_\_\_

Foot Location (choose one)  B  C \_\_\_\_\_ mm Control Box Location  Top Front  Top Left  Top Right  
 Left Side  Right Side  Stand Alone

Casters  Yes  No

Paint (texture powder coated) \_\_\_\_\_

Coolant Tank Required  Yes  No (if yes, see page 10 for specifications)

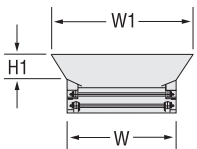
Coolant Flow Rate \_\_\_\_\_ gal/min (total machine)

Coolant Slots  Left  Right  Both  None

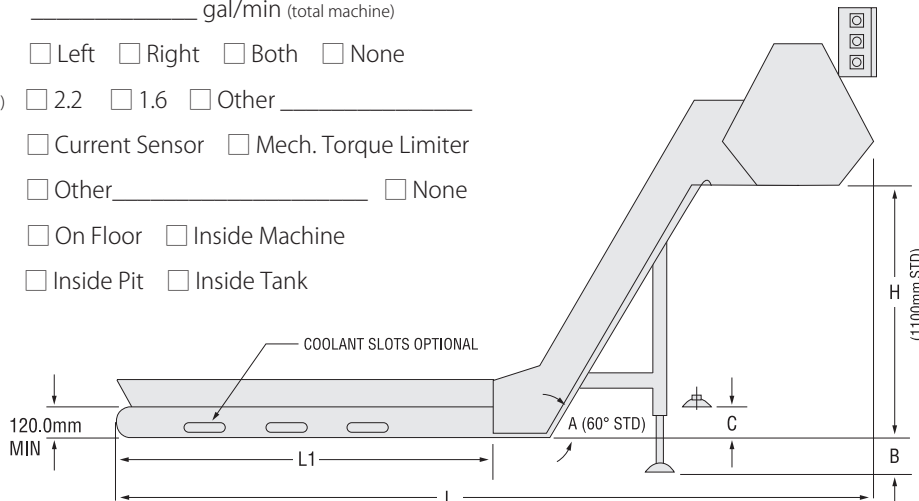
Conveyor Speed (m/min)  2.2  1.6  Other \_\_\_\_\_

Overload Protection  Current Sensor  Mech. Torque Limiter  
 Other \_\_\_\_\_  None

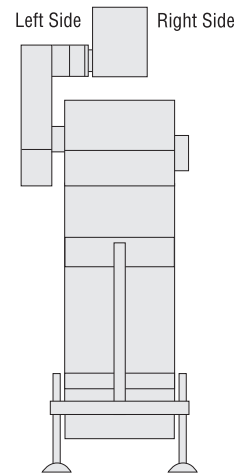
Installed Location  On Floor  Inside Machine  
 Inside Pit  Inside Tank



INLET CROSS SECTION VIEW



LEFT SIDE PROFILE VIEW



FRONT VIEW