

LIFT TABLE ENCLOSURES

SAFETY

By providing a physical barrier, our enclosures help prevent injury due to hands, clothing or feet being accidentally caught in the table mechanism. Many safety conscious companies are insisting on lift table enclosures.

MECHANICAL PROTECTION

Protecting the lifting mechanism from contaminants such as dust, dirt, water and foreign objects, minimizes downtime and maintenance costs and extends the life of the unit.

APPEARANCE

Lift table enclosures provide a neat, finished appearance. Fabricated from contrasting black and bright safety yellow reinforced vinyl.

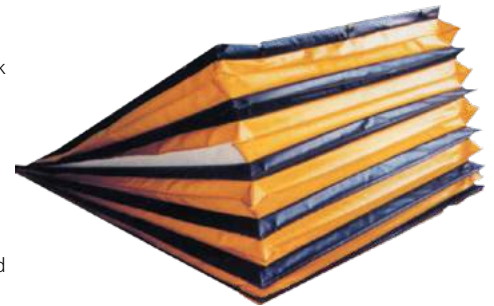


DESIGN FEATURES

- **SINGLE OR MULTIPLE SIDED**
one, two, three and four sided enclosures are available for Lift, Tilt, and Lift and Tilt tables.
- **PREMIUM QUALITY VINYL COATED POLYESTER**
the 3" wide material is welded together at each corner before sewing to ensure perfect 90 degree corners and uniformity.
- **SUPPORT RODS**
rods are inserted into pockets every second convolution to maintain stability and add strength.
- **MESH BREATHING FABRIC**
on four-sided units, a mesh breathing fabric is sewn into opposite sides on a convolution near the top, to allow for the influx & expulsion of air as the enclosure cycles up & down.
- **EXTENSION STRAPS**
eases pressure on the stitching by creating uniform extension at each convolution.
- **GALVANIZED MOUNTING FLATBAR**
flatbar is included, if required, for installation into collars which can be located two ways:
 1. Sewn to the inside dimension of the enclosure in which case the body will hang outside the outside dimension of the table.
 2. Sewn to the outside dimension of the enclosure in which case the body will hang inside the outside dimension of the table.

OPTIONS

- **MAINTENANCE STRAPS**
to hold the enclosure up against the underside of the table for ease of access when performing maintenance.
- **ZIPPERS**
for retrofits where the enclosure may not be easily slipped over the table
- **HOOK & LOOP MOUNTING**
instead of flatbar
- **HI-TEMPERATURE FABRIC**
specialty fabrics are in stock for unique applications
- **RESTRICTED SPACE & LOW RETRACTION**
although 3" convolution width is standard, almost any width can be fabricated to satisfy special situations.



1 EXTENSION STRAP



2 RODS

3 MESH BREATHING FABRIC

QUOTE REQUEST LIFT TABLE BELLOWS

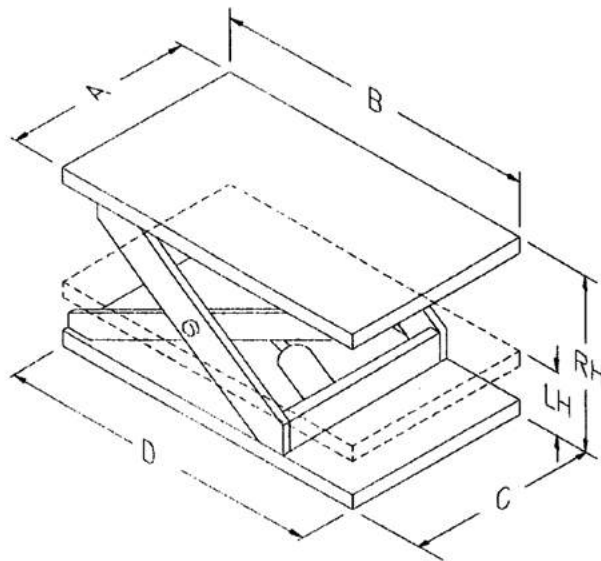
Please complete this form and email or fax to your desired location
info@hennig-inc.com [Find Your Regional Contact](#)

1 COMPANY *(complete address)*

Name _____
Title _____
E-mail _____
Phone _____ Fax _____ Date ____/____/____

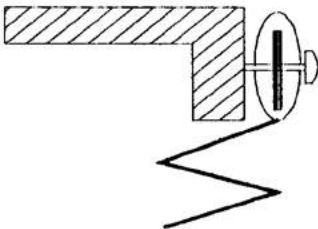
2 DIMENSIONS

A _____
B _____
C _____
D _____
Raised Height _____
Lowered Height _____
Number of Units _____



3 MOUNTING

Inside Mount



Outside Mount

