

Rubber Disk Bellows

Customized solutions and cover-materials are available on your demand.



Typical applications

- Mechanical engineering
- Hydraulic and pneumatic bars
- Pistons and spindles
- Measuring machines

Thodacon's rubber disk bellows are of high grade and always the best choice for industrial purposes.

The bellow can be produced without mold cost and are an economical solution for lower quantities.

The bellow has a good relation between L min and L max. This and availability of different materials for different purposes offer an interesting technical option as well.

Different disc sizes and different collar or flange shapes allow the production of a virtual unlimited number of variations. More shapes and designs are available to order. Please send us your request, and we will reply as soon as possible.

Inquiry Form for Rubber Disk Bellows

Your Company Contact

Place/Country Telephone

Email Telefax

Working position: Horizontal Vertical

Use of cover: Outside Inside

Temperature range: _____

Work cycles/min: _____

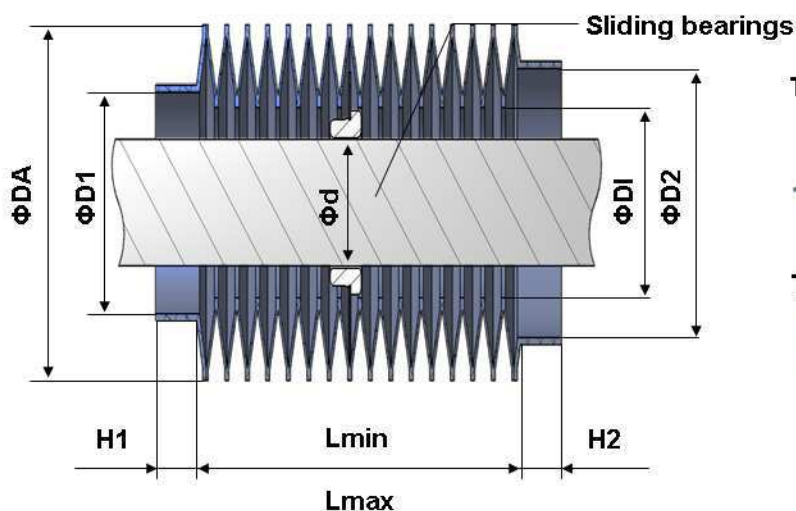
Max. speed (m/min): _____

Working hour per day (h): _____

	Inside	Outside	Permanently	Sporadically
<input type="checkbox"/> Dust	<input type="checkbox"/>	<input type="checkbox"/>	<input type="checkbox"/>	<input type="checkbox"/>
<input type="checkbox"/> Water	<input type="checkbox"/>	<input type="checkbox"/>	<input type="checkbox"/>	<input type="checkbox"/>
<input type="checkbox"/> Oil/Grease	<input type="checkbox"/>	<input type="checkbox"/>	<input type="checkbox"/>	<input type="checkbox"/>
<input type="checkbox"/> Acid	<input type="checkbox"/>	<input type="checkbox"/>	<input type="checkbox"/>	<input type="checkbox"/>
<input type="checkbox"/> Leaches	<input type="checkbox"/>	<input type="checkbox"/>	<input type="checkbox"/>	<input type="checkbox"/>
<input type="checkbox"/> Others	<input type="checkbox"/>	<input type="checkbox"/>	<input type="checkbox"/>	<input type="checkbox"/>

d	_____	DI	_____
Lmin	_____	DA	_____
Lmax	_____	DA1	_____
D1	_____	H1	_____
D2	_____	H2	_____

- Sliding bearings/ no. _____
- Air vents



Type A

Type B



Type C

Type D

